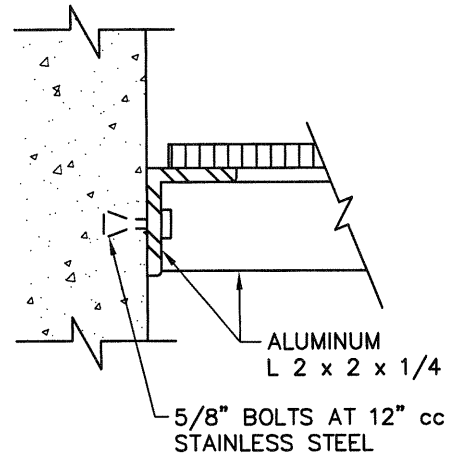
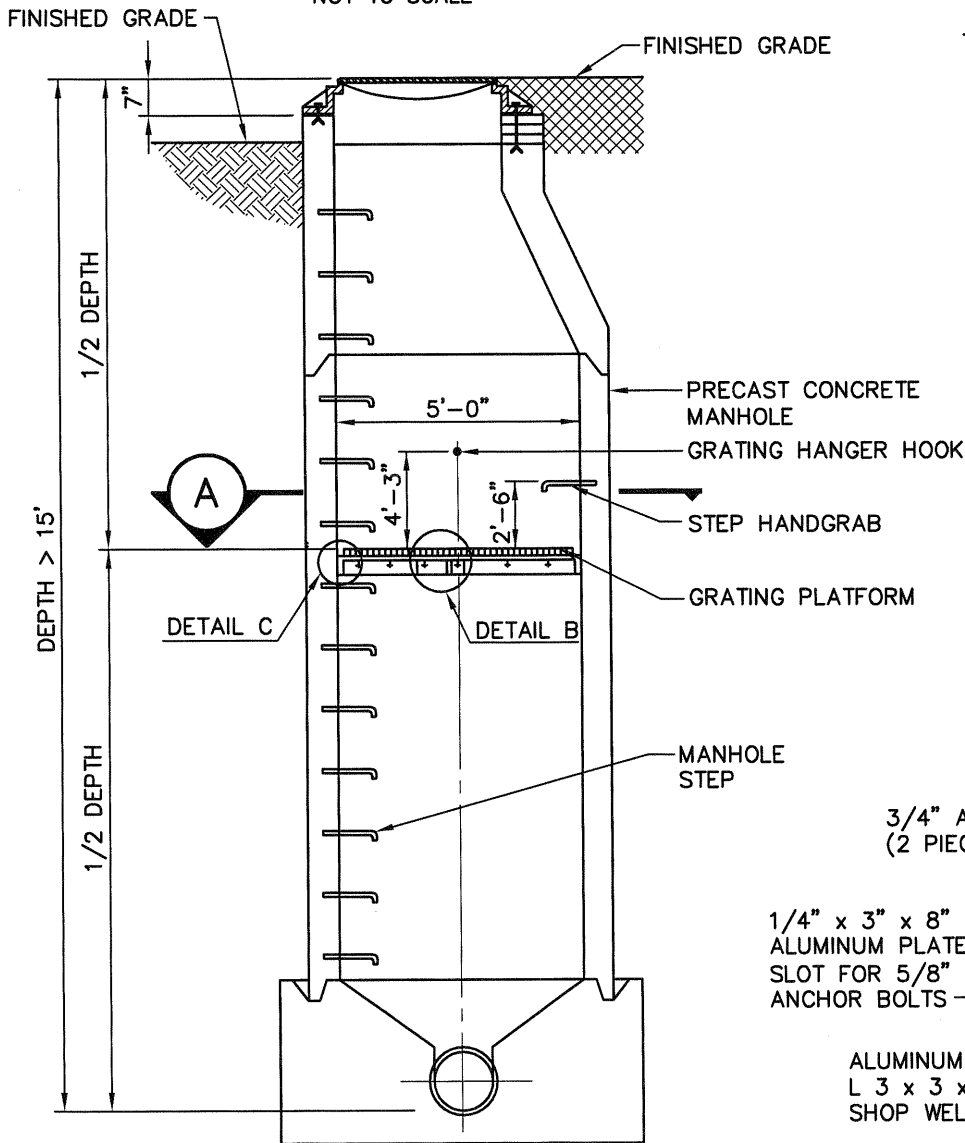


**SECTION "A"**  
**GRATING PLATFORM PLAN**

NOT TO SCALE

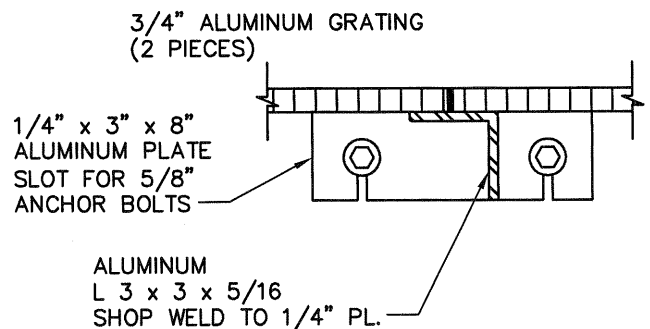


**DETAIL C**  
NOT TO SCALE



**MANHOLE PLATFORM**  
NOT TO SCALE

**NOTE:**  
A MINIMUM OF 1'-0" IS  
REQUIRED FROM FINAL GRADE  
TO RIM ELEVATION OF MANHOLE  
IN RIGHT OF WAY AREAS.



**DETAIL B**  
NOT TO SCALE

File name: P:\0057\005755\_0428\CAD\Standard Details\Man-Platform.dwg Layout: 1 Oct 11, 2011 4:09pm afocht



369 East Park Drive  
Harrisburg, PA 17111  
(717) 564-1121  
Fax (717) 564-1158  
hrg@hrg-inc.com  
www.hrg-inc.com

**SCOTT TOWNSHIP AUTHORITY  
STANDARD DETAILS**

COLUMBIA COUNTY

PENNSYLVANIA

PROJ. MGR. - JJM
DESIGN- WGR
CADD- RSF
CHECKED-
SCALE- N.T.S.
DATE- OCT. 2011

DETAIL NO.
<b>D4</b>
SHEET NO.
<b>1 OF 1</b>
PROJECT 005755.0426