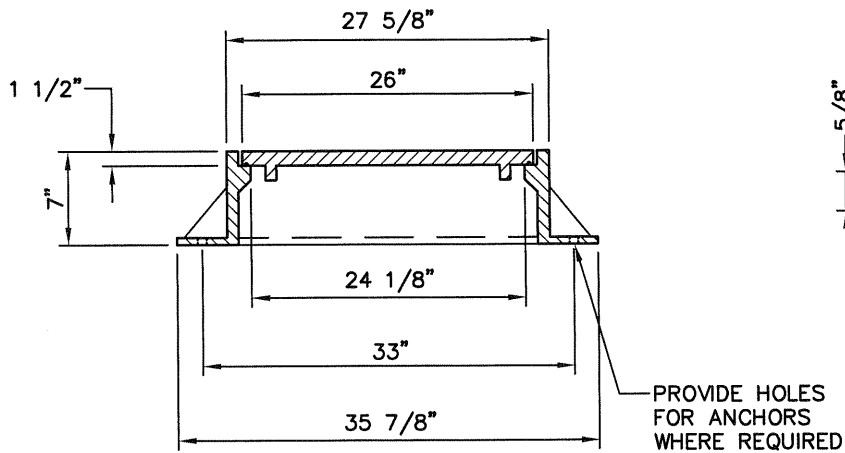
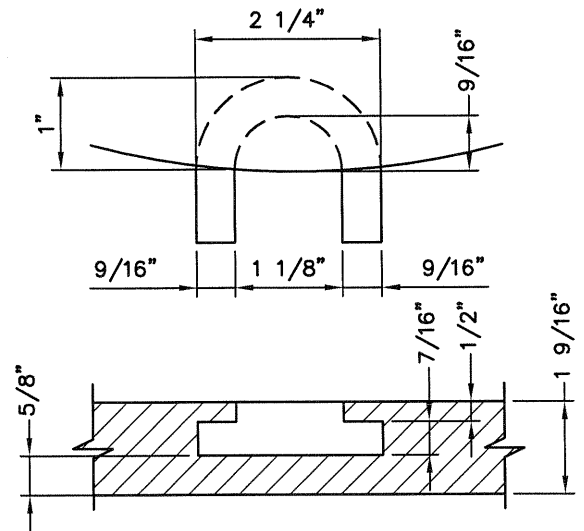


PLAN



SECTION



PICKHOLE DETAIL
NOT TO SCALE

NOTES:

1. BEARING SURFACES OF FRAME AND COVER SHALL BE MACHINED WITH A FACTORY INSTALLED ONE PIECE O-RING

STANDARD MANHOLE FRAME AND COVER

NOT TO SCALE



369 East Park Drive
Harrisburg, PA 17111
(717) 564-1121
Fax (717) 564-1158
hrg@hrg-inc.com
www.hrg-inc.com

**SCOTT TOWNSHIP AUTHORITY
STANDARD DETAILS**

COLUMBIA COUNTY

PENNSYLVANIA

PROJ. MGR. - JIM
DESIGN- WGR
CADD- RSF
CHECKED-
SCALE- N.T.S.
DATE- OCT. 2011

DETAIL NO.

D11

SHEET NO.

1 OF 1

PROJECT 005755.0428