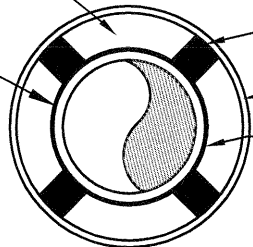


END PROFILE

FILL VOID WITH FLOWABLE FILL

PVC/DIP CARRIER PIPE

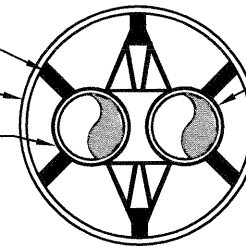


MAIN LINE SECTION

STAINLESS STEEL SPACER

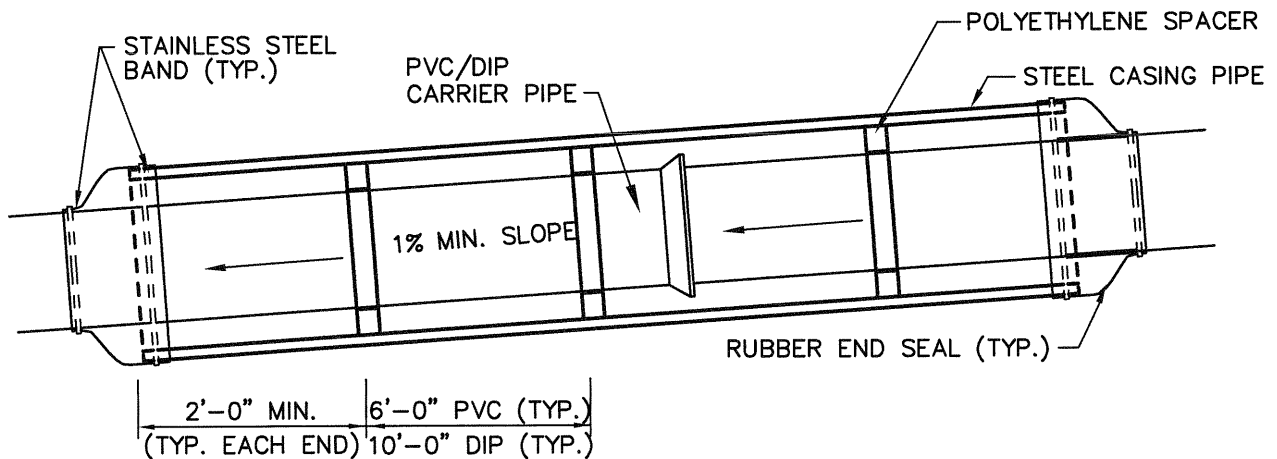
STEEL CASING PIPE

STAINLESS STEEL CASING SPACER



CARRIER PIPE

DUAL LATERAL SECTION



SECTION

- NOTE:
 1. SEE HIGHWAY CROSSINGS FOR SPECIFIC LENGTHS AND LOCATIONS
 2. ALL BORE PITS 3' MINIMUM OFF EDGE OF SHOULDER

SINGLE LATERAL ONLY		DUAL LATERAL ONLY	
CARRIER PIPE	MIN. CASING PIPE	CARRIER PIPE	MIN. CASING PIPE
1 1/4"	6"	1 1/4"	6"
2"	6"	2"	8"
4"	10"	4"	16"
6"	12"	6"	24"
8"	16"	8"	32"

PRESSURE/GRAVITY SEWER HIGHWAY CROSSING

NOT TO SCALE



369 East Park Drive
 Harrisburg, PA 17111
 (717) 564-1121
 Fax (717) 564-1158
 hrgr@hrgr-inc.com
 www.hrgr-inc.com

SCOTT TOWNSHIP AUTHORITY
 STANDARD DETAILS

COLUMBIA COUNTY

PENNSYLVANIA

PROJ. MGR. - JIM
DESIGN- WGR
CADD- RSF
CHECKED-
SCALE- N.T.S.
DATE- OCT. 2011

DETAIL NO.

D23

SHEET NO.

1 OF 1

PROJECT 005755.0426